



FBA Flywheel Couplings





FBA Flywheel Coupling

The FBA (Flywheel–Blind Assembly) coupling is a torsionally soft engine drive that has damping characteristics.

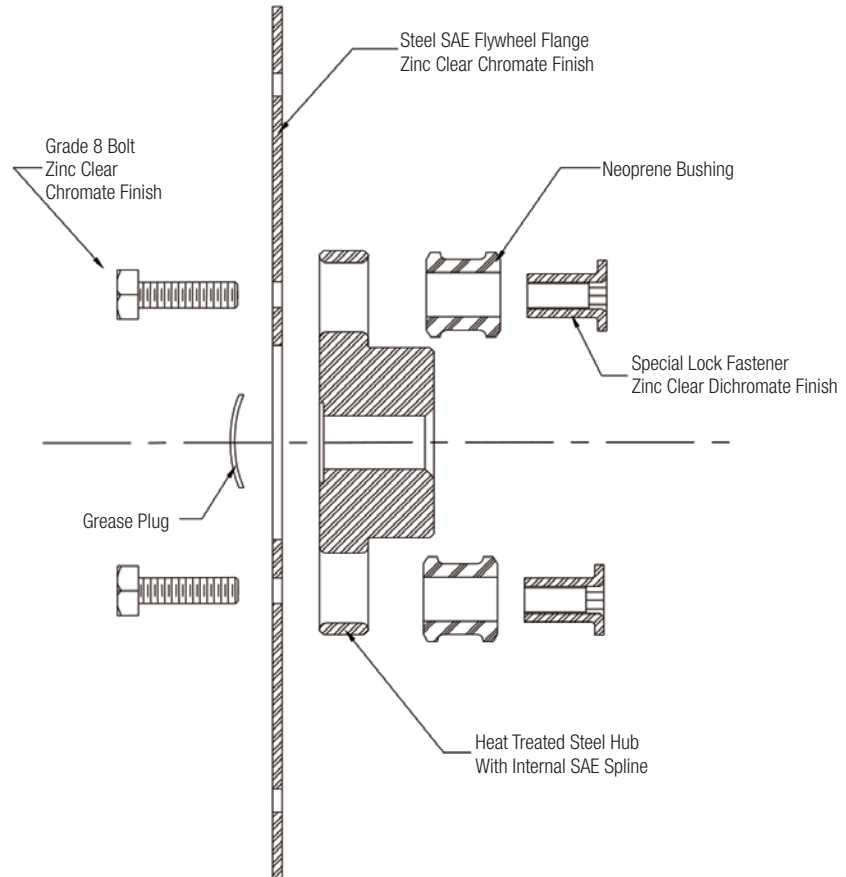
Flywheel flanges are available in SAE sizes 6–1/2 thru 14 from stock, with many metric options available.

The FBA coupling is used worldwide in gas/ diesel engine applications including; aerial lifts, skid steer loaders, excavators, and low mass compressors.

Withstands temperatures up to 212° F.

TECHNICAL DATA

The FBA (flywheel-blind assembly) was designed in response to the demand for a torsionally soft drive system with “plug-in” capability. This flywheel coupling consists of a steel flywheel flange, splined steel hub, rubber vibration damper, and specially designed fasteners.



Coupling Assembly	Nominal Torque Rating*
SAE 6.5	1,950 in-lbs
SAE 7.5	1,950 in-lbs
SAE 8	3,655 in-lbs
SAE 10	4,640 in-lbs
SAE 11.5	7,500 in-lbs
SAE 14	12,190 in-lbs

* All values are based on Guardian standard product offering. Please consult Guardian Industries for non-standard configurations.

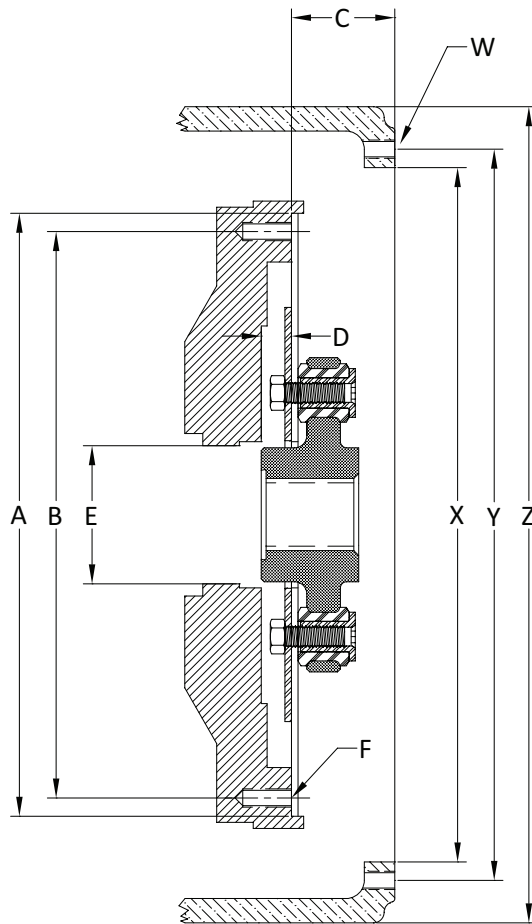
Misalignment Capability

Angular = 1°
Parallel = .015"

Note

The end user is required to use a lithium-based grease on the pump spline and coupling at installation such as Shell Alvania CG or equivalent.

SAE FLYWHEEL & HOUSING DATA



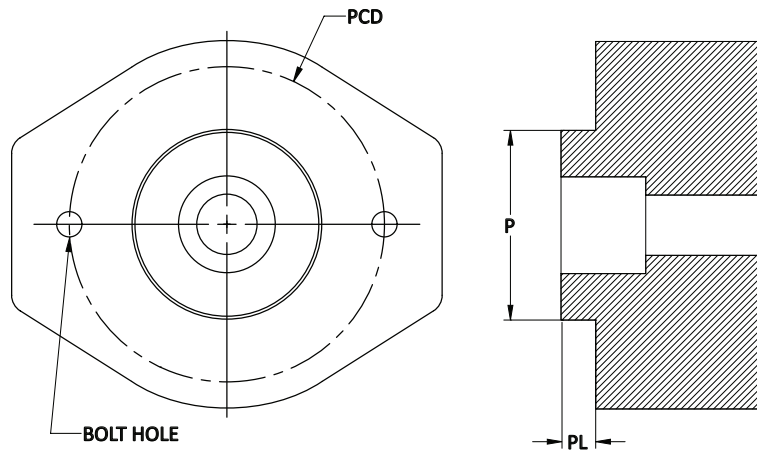
SAE Flywheel Standard Dimensions

Flywheel SAE No.	A inch	B inch	C inch	D inch	E inch	F	
						No.	Size
6 1/2	8.500	7.875	1.190	0.500	2.047	6	5/16" - 8
7 1/2	9.500	8.750	1.190	0.500	2.047	8	5/16" - 18
8	10.375	9.625	2.440	0.500	2.441	6	3/8" - 16
10	12.375	11.625	2.120	0.620	2.834	8	3/8" - 16
11 1/2	13.875	13.125	1.560	1.120	2.834	8	3/8" - 16
14	18.375	17.250	1.000	1.120	3.149	8	1/2" - 13

SAE Housing Standard Dimensions

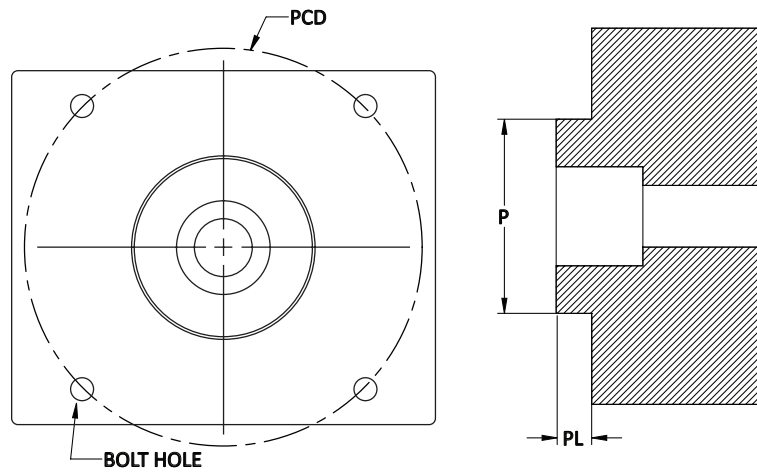
Flywheel SAE No.	X inch	Y inch	Z inch	F	
				No.	Size
6	10.500	11.250	12.120	8	3/8" - 16
5	12.375	13.125	14.000	8	3/8" - 16
4	14.250	15.000	15.880	12	3/8" - 16
3	16.125	16.875	17.750	12	3/8" - 16
2	17.625	18.375	19.250	12	3/8" - 16
1	20.125	20.875	21.750	12	7/16" - 14

SAE PUMP DATA



SAE 2-Bolt Mounting Flange

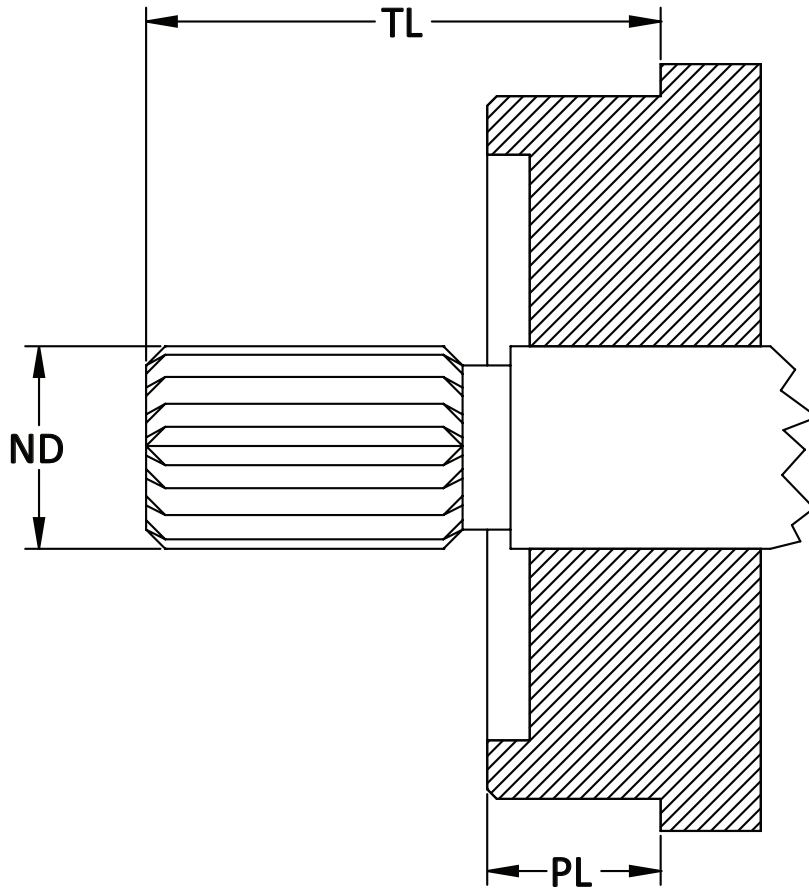
Mounting Flange SAE	Pilot Dimensions P	Flange Dimensions		Pilot Length PL	Bolts
		PCD	Bolt Hole		
AA	2.000	3.250	0.406	0.250	5/16-18
A	3.250	4.187	0.438	0.250	3/8-16
B	4.000	5.750	0.562	0.375	1/2-3
C	5.000	7.125	0.687	0.500	5/8-11
D	6.000	9.000	0.812	0.500	3/4-10
E	6.500	12.500	1.062	0.625	1-8
F	7.000	13.781	1.062	0.625	1-8



SAE 4-Bolt Mounting Flange

Mounting Flange SAE	Pilot Dimensions P	Flange Dimensions		Pilot Length PL	Bolts
		PCD	Bolt Hole		
AA (4F17)	1.781	2.838	0.325	0.250	5/16-18
A	3.250	4.125	0.438	0.250	3/8-16
B	4.000	5.000	0.562	0.375	1/2-13
C	5.000	6.375	0.562	0.500	1/2-13
D	6.000	9.000	0.812	0.500	3/4-10
E	6.500	12.500	0.812	0.625	3/4-10
F	7.000	13.781	1.062	0.625	1-8

SAE PUMP DATA



SAE Involute Splined Pump Shafts

SAE	# of Teeth	Pitch Dia.	Pressure Angle	Major Dia. ND	Minor Dia.	Nominal Dia.	TL
AA	9	20/40	30°	0.625	0.509	1/2	1.062
A	9	16/32	30°	0.625	0.509	5/8	1.250
AH	11	16/32	30°	0.750	0.631	3/4	1.250
B	13	16/32	30°	0.875	0.754	7/8	1.625
BB	15	16/32	30°	1.000	0.877	1	1.812
C	14	12/24	30°	1.250	1.087	1 1/4	2.187
CS	21	16/32	30°	1.380	1.250	1 3/8	2.187
CC	17	12/24	30°	1.500	1.334	1 1/2	2.437
D & E	13	8/16	30°	1.750	1.506	1 3/4	2.937
F	15	8/16	30°	2.000	1.753	2	3.437



COMPLIMENTARY GUARDIAN PRODUCTS: FOR MOUNTING DRIVEN COMPONENTS



Pump Plates

- Manufactured from steel
- SAE Sizes 1 thru 6 from stock
- Plain and zinc finish from stock
- E-Coat, black oxide & powder coat available upon request



Engine Housings

- Manufactured from aluminum & cast iron
- Fits a variety of non-standard SAE option engines
- E-Coat & powder coat available for cast iron designs

See Engine Housing and Pump Mounting Plate literature for complete listings.

GUARDIAN COUPLINGS™

Regal Rexnord

www.guardiancouplings.com

North America (USA)

300 Indiana Highway 212
Michigan City, IN 46360
219-874-5248

regalrexnord.com

Europe (United Kingdom)

Merchant Drive, Hertford
Hertfordshire SG13 7BL - England
+44(0)1992 501900

The proper selection and application of products and components, including assuring that the product is safe for its intended use, are the responsibility of the customer. To view our Application Considerations, please visit <https://www.regalrexnord.com/Application-Considerations>.

To view our Standard Terms and Conditions of Sale, please visit <https://www.regalrexnord.com/Terms-and-Conditions-of-Sale> (which may redirect to other website locations based on product family).

"Regal Rexnord" is not indicative of legal entity. Refer to product purchase documentation for the applicable legal entity. Regal Rexnord and Guardian Couplings are trademarks of Regal Rexnord Corporation or one of its affiliated companies. © 2019, 2025 Regal Rexnord Corporation, All Rights Reserved. MCB-P-7718-GC-EN-US 02/25

The logo for Regal Rexnord, featuring a stylized green and blue icon to the left of the company name "RegalRexnord™" in a bold, blue, sans-serif font.

